

Technical Data Sheet



Introducing the Lawton Press range, available in sizes from 15-54mm. Perfect for potable water, heating, and cooling applications, this innovative product comes with an unbeatable 30-year warranty, showcasing our commitment to quality and reliability.



Lawton Press Fittings	15-54mm
Applications	Portable water, Heating, and Cooling
Market Segmentation	Domestic and Commercial
Approvals	REG4, WRAS and EN 1254-7

Materials:	Copper and copper alloys
Sealing:	EPDM O-ring
Press Configuration:	M-Profile
Maximum Operating Pressure (Liquid):	16 bar (0-100°C)
Maximum Operating Pressure (Negative Pressure):	>0.2 bar (0-100°C)
Dimensions:	See dimensions webpage
Weights:	See weights webpage
Warranty:	30 years (See website for T&Cs)
Electrical Continuity:	Yes
Thread Specification:	Male - ISO 7/EN10226-1 Female - BS EN ISO 228
Assembly Instructions:	See webpage
Features:	Leak before press O-ring Leak before press indicator (black) No solder required No hot works permits needed

Copper Tube Expansion:

Temperature change	Tube length									
	3m	4m	5m	6m	7m	8m	9m	10m	12m	25m
10°	0.5mm	0.7mm	0.9mm	1.0mm	1.2mm	1.4mm	1.5mm	1.7mm	2.0mm	4.3mm
20°	1.0mm	1.4mm	1.7mm	2.0mm	2.4mm	2.7mm	3.0mm	3.4mm	4.0mm	8.5mm
30°	1.5mm	2.0mm	2.6mm	3.1mm	3.6mm	4.1mm	4.6mm	5.1mm	6.1mm	13.0mm
40°	2.0mm	2.7mm	3.4mm	4.1mm	4.8mm	5.4mm	6.1mm	6.8mm	8.2mm	17.0mm
50°	2.6mm	3.4mm	4.3mm	5.1mm	6.0mm	6.8mm	7.7mm	8.5mm	10.2mm	21.0mm
60°	3.1mm	4.1mm	5.1mm	6.1mm	7.1mm	8.2mm	9.2mm	10.2mm	12.2mm	26.0mm
70°	3.6mm	4.8mm	6.0mm	7.1mm	8.3mm	9.5mm	10.7mm	11.9mm	14.3mm	30.0mm
80°	4.1mm	5.4mm	6.8mm	8.2mm	9.5mm	10.9mm	12.2mm	13.6mm	16.3mm	34.0mm
90°	4.6mm	6.1mm	7.7mm	9.2mm	10.7mm	12.2mm	13.8mm	15.3mm	18.4mm	38.0mm
100°	5.1mm	6.8mm	8.5mm	10.2mm	11.9mm	13.6mm	15.3mm	17.0mm	20.4mm	43.0mm

Copper Tube Compatibility:

Copper Tube to BS EN 1057 - Tempers are R250 (half board, can be bent) or R290 (hard, cannot be bent).

Outer Diameter	0.7mm Wall	0.9mm	1.0mm	1.2mm	1.5mm
15mm	R250 R290		R250 R290		
22mm		R250 R290		R250 R290	
28mm		R250 R290		R250 R290	
35mm			R290*	R250 R290	R290
42mm			R290*	R250 R290	R290
54mm				R290	

Dissimilar metals:

Installations containing mixed metals are generally to be avoided. Metals that are not close to each other on the galvanic scale can corrode when connected directly together.

If dissimilar metals are required in the same system, we recommend the Water Regulations Guide is adhered to.

A brass or bronze fitting, for instance, should be used when making a transition from copper to steel.

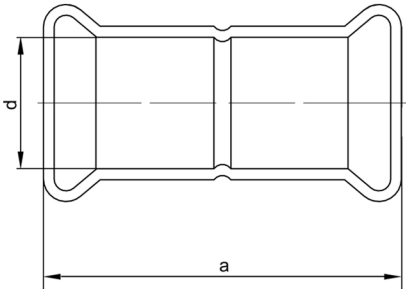
Installation spacing:

The maximum spacing for support brackets when used with EN 1057 copper tube are detailed below:

Outer Diameter	Tube Wall	Temper	Horizontal	Vertical
15mm	0.7mm	R250/R290	1.2m	1.8m
15mm	1.0mm	R250/R290	1.2m	1.8m
22mm	0.9mm	R250/R290	1.8m	2.4m
22mm	1.2mm	R250/R290	1.8m	2.4m
28mm	0.9mm	R250/R290	1.8m	2.4m
28mm	1.2mm	R250/R290	1.8m	2.4m
35mm	1.0mm	R290	2.4m	3.0m
35mm	1.2mm	R250/R290	2.4m	3.0m
35mm	1.5mm	R290	2.4m	3.0m
42mm	1.0mm	R290	2.4m	3.0m
42mm	1.2mm	R250/R290	2.4m	3.0m
42mm	1.5mm	R290	2.4m	3.0m
54mm	1.2mm	R290	2.7m	3.0m
54mm	2.0mm	R290	2.7m	3.0m

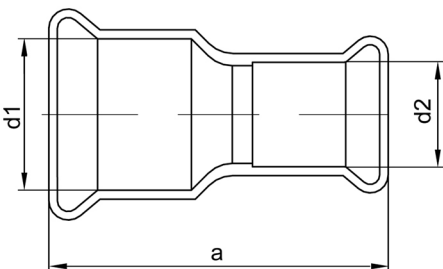
Technical Guide Dimentions

Straight Coupler Press:



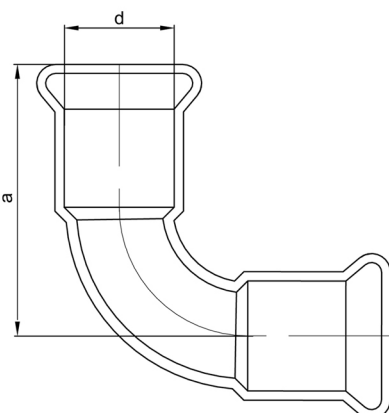
Code	d	a
PFCP015	15	42
PFCP022	22	44
PFCP028	28	50
PFCP035	35	57
PFCP042	42	65
PFCP054	54	75

Reducer Coupler Press:



Code	d1	d2	a
PFCP02215	22	15	52
PFCP02815	28	15	54
PFCP02822	28	22	53.5
PFCP03515	35	15	62.5
PFCP04215	42	15	58
PFCP04222	42	22	58
PFCP04228	42	28	62
PFCP05415	54	15	78
PFCP05422	54	22	76
PFCP05428	54	28	76
PFCP05435	54	35	75.5

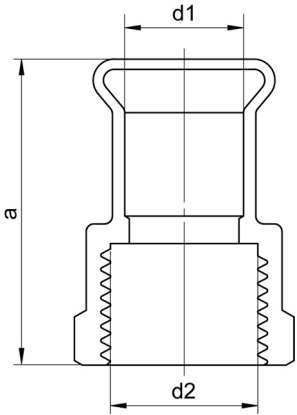
90° Elbow Press:



Code	d	a
PFEL015	15	51
PFEL022	22	64
PFEL028	28	75
PFEL035	35	90
PFEL042	42	106.5
PFEL054	54	137

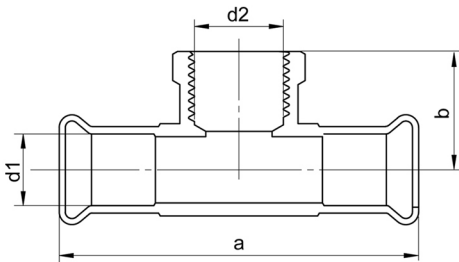
Technical Guide Dimentions

Brass Female Adapter Press:



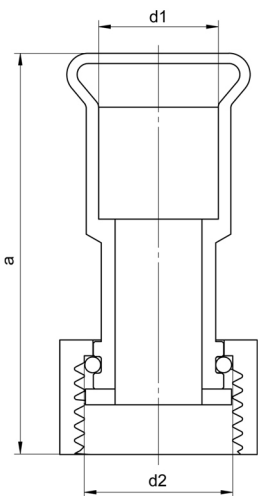
Code	d1	d2	a
PFCPFI0151/2	15	1/2"	39
PFCPFI0153/4	15	3/4"	40
PFCPFI0221/2	22	1/2"	38
PFCPFI0223/4	22	3/4"	41.5
PFCPFI0281	28	1"	47
PFCPFI03511/4	35	1 1/4"	50
PFCPFI04211/2	42	1 1/2"	56
PFCPFI0542	54	2"	65

Brass Female Tee Press:



Code	d1	d2	a	b
PFTEF015151/2	15	1/2"	76	35
PFTEF022221/2	22	1/2"	78	41.5
PFTEF022223/4	22	3/4"	84	43
PFTEF028281	28	1"	95	53.5
PFTEF028281/2	28	1/2"	82	47.5

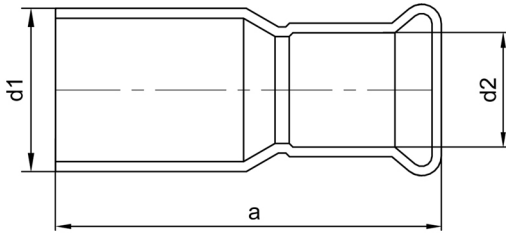
Brass Swivel Connector:



Code	d1	d2	a
PFSSC0151/2	15	1/2"	38.5
PFSSC0223/4	22	3/4"	43.5

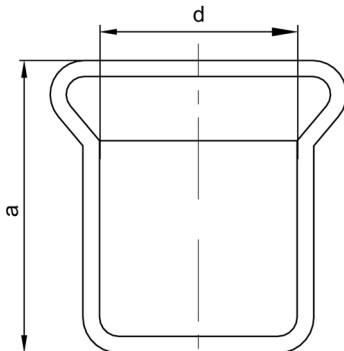
Technical Guide Dimentions

Reducer Press:



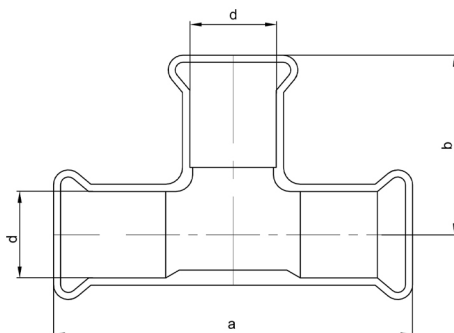
Code	d1	d2	a
PFRED02215	22	15	53.5
PFRED02815	28	15	56
PFRED02822	28	22	56
PFRED03515	35	15	64
PFRED03522	35	22	67
PFRED03528	35	28	60
PFRED04215	42	15	72
PFRED04222	42	22	70
PFRED04228	42	28	71.5
PFRED04235	42	35	69
PFRED05415	54	15	82
PFRED05422	54	22	86
PFRED05428	54	28	80
PFRED05435	54	35	83.5
PFRED05442	54	42	83

End Cap Press:



Code	d	a
PFEC015	15	17.5
PFEC022	22	22.5
PFEC028	28	25.5
PFEC035	35	28
PFEC042	42	32.5
PFEC054	54	37.5

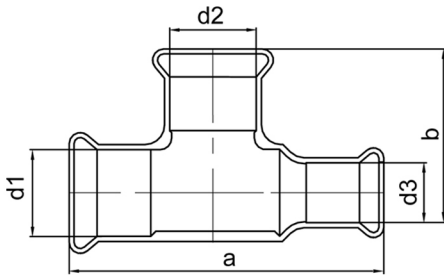
Equal Tee Press:



Code	d	a	b
PFTE015	15	64	41
PFTE022	22	74.5	50
PFTE028	28	84	57.5
PFTE035	35	100	69.5
PFTE042	42	113	78.5
PFTE054	54	138.5	98

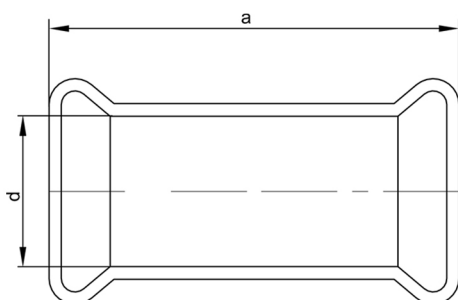
Technical Guide Dimentions

Reducer Tee Press:



Code	d1	d2	d3	a	b
PFTE0151522	15	15	22	64	50
PFTE0221515	22	15	15	73.5	48.5
PFTE0221522	22	15	22	81	49
PFTE0222215	22	22	15	67	48.5
PFTE0222228	22	22	28	80	52
PFTE0281515	28	15	15	79	54.5
PFTE0281522	28	15	22	85.5	56
PFTE0281528	28	15	28	94	58.5
PFTE0282215	28	22	15	77	54.5
PFTE0282222	28	22	22	83	55.5
PFTE0282228	28	22	28	88	57.5
PFTE0282815	28	28	15	72	54.5
PFTE0282822	28	28	22	78	56
PFTE0352222	35	22	22	91	62
PFTE0352235	35	22	35	104.5	69
PFTE0352822	35	28	22	91	63
PFTE0352835	35	28	35	104	70.5
PFTE0353515	35	35	15	79	61
PFTE0353522	35	35	22	86	62
PFTE0353528	35	35	28	92	66.8
PFTE0423535	42	35	35	110	77
PFTE0424215	42	42	15	90.5	68.5
PFTE0424222	42	42	22	96	71
PFTE0424228	42	42	28	100	73
PFTE0424235	42	42	35	105	75
PFTE0545415	54	54	15	100.5	80.5
PFTE0545422	54	54	22	106	83.5
PFTE0545428	54	54	28	112	85
PFTE0545435	54	54	35	120	88
PFTE0545442	54	54	42	126	93

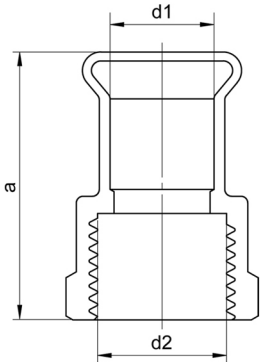
Slip Coupler Press:



Code	d	a
PFSC015	15	38
PFSC022	22	44
PFSC028	28	50
PFSC035	35	57
PFSC042	42	65
PFSC054	54	75

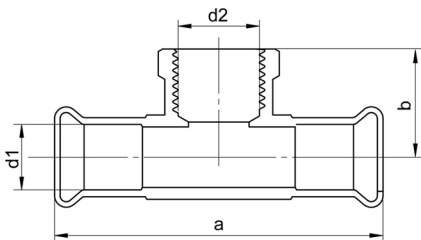
Technical Guide Dimentions

Brass Female Adapter Press:



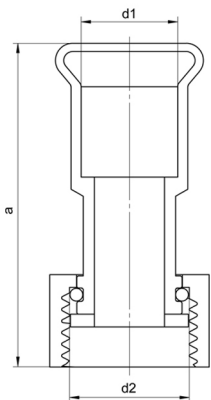
Code	d1	d2	a
PFCPFI0151/2	15	1/2"	39
PFCPFI0153/4	15	3/4"	40
PFCPFI0221/2	22	1/2"	38
PFCPFI0223/4	22	3/4"	41.5
PFCPFI0281	28	1"	47
PFCPFI03511/4	35	1 1/4"	50
PFCPFI04211/2	42	1 1/2"	56
PFCPFI0542	54	2"	65

Brass Female Tee Press:



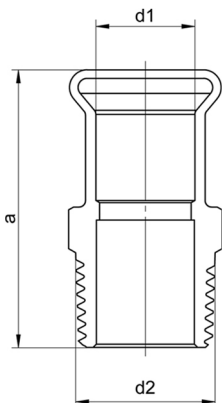
Code	d1	d2	a	b
PFTEF015151/2	15	1/2"	76	35
PFTEF022221/2	22	1/2"	78	41.5
PFTEF022223/4	22	3/4"	84	43
PFTEF028281	28	1"	95	53.5
PFTEF028281/2	28	1/2"	82	47.5

Brass Swivel Connector:



Code	d1	d2	a
PFSSC0151/2	15	1/2"	38.5
PFSSC0223/4	22	3/4"	43.5

Brass Male Adapter Press:



Code	d1	d2	a
PFCPMI0151/2	15	1/2"	42.5
PFCPMI0153/4	15	3/4"	45
PFCPMI0221/2	22	1/2"	44
PFCPMI0223/4	22	3/4"	56
PFCPMI0281	28	1"	51.5
PFCPMI0283/4	28	3/4"	48
PFCPMI03511/4	35	1 1/4"	56
PFCPMI04211/2	42	1 1/2"	64
PFCPMI0542	54	2"	74